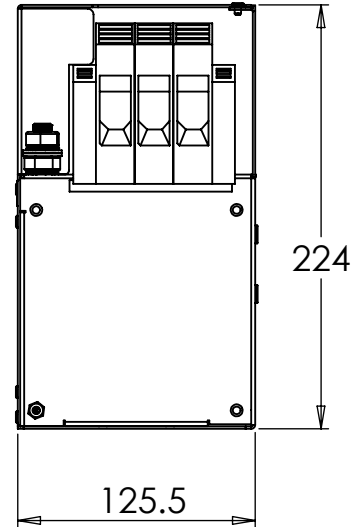
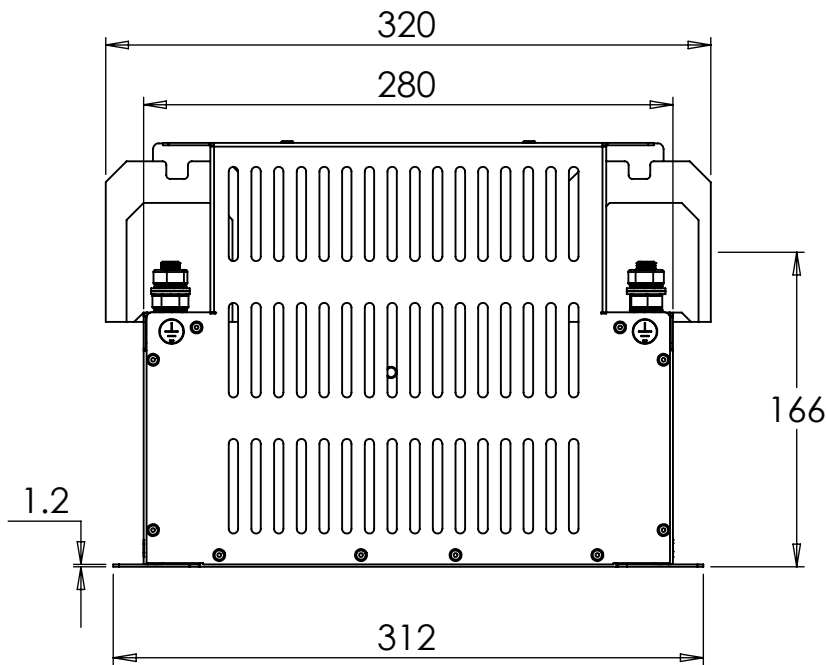
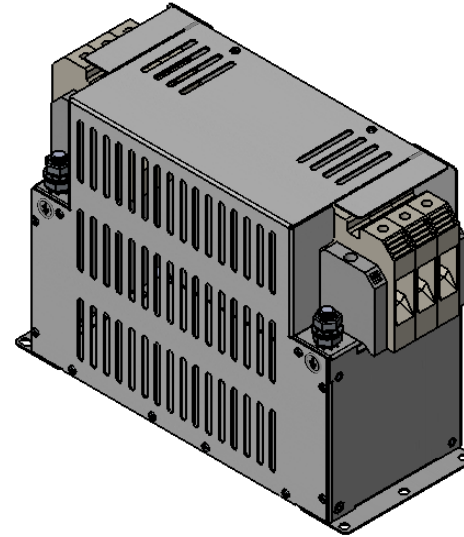
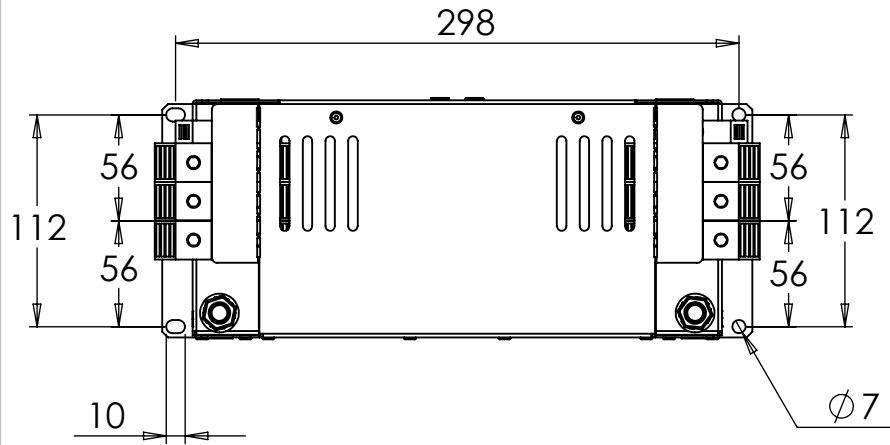


REV.	CNN	CNN DESCRIPTION	Date	Check in
03	-	extra fixing hole added to base	10/11/2010	Shaun Barron
04	-	New terminals added to enclosure	21/07/2011	Shaun Barron



### SPECIFICATIONS

VOLTAGE 500Vac  
 FREQUENCY 50/60Hz  
 CURRENT 150A @ 40°C  
 TEMPERATURE -25 TO 100°C  
 LEAKAGE CURRENT 235mA @ 500V 50Hz  
 HUMIDITY 90% RH (NON-CONDENSING)  
 VIBRATION 10-200Hz 1.8G  
 ELECTRIC STRENGTH 2250Vac/1min.  
 POWER DISSIPATION 25W

### MECHANICAL

ingress protection IP20  
 mass unpackaged 5.2kg  
 material enclosure 1.2mm ALU  
 mounting centres See Drawing  
 terminal connection 70mm<sup>2</sup>  
 terminal earthing M10x25mm

### ENVIRONMENT

humidity 90% RH (non-condensing)  
 pollution class II  
 temperature -25-90°C  
 vibration 10-200Hz 1.8G

### STANDARDS

EN60950 / EN50178 / UL1283

Tel No. +44(0)1724 273200 E-mail [www.dem-uk.com](http://www.dem-uk.com)

PROPRIETARY AND CONFIDENTIAL  
 THE INFORMATION CONTAINED IN THIS DRAWING IS THE SOLE PROPERTY OF  
 ALPHA 3 MANUFACTURING.  
 ANY REPRODUCTION IN PART OR AS A WHOLE WITHOUT THE WRITTEN PERMISSION OF  
 ALPHA 3 MANUFACTURING IS PROHIBITED.

UNLESS OTHERWISE SPECIFIED:  
 DIMENSIONS ARE IN MILLIMETRES  
 LINEAR TOLERANCE:  
**NO DECIMAL PLACES ±0.5mm**  
**1 DECIMAL PLACE ±0.25mm**  
**2 DECIMAL PLACES ±0.125mm**  
 ANGULAR TOLERANCE: ±1°

DEM Manufacturing, Deltron Emcon House  
 Hargreaves Way, Sawcliffe Ind. Park,  
 Scunthorpe, North Lincolnshire, DN15 8RF, UK



FINISH	-	DEBURR AND BREAK SHARP EDGES
MATERIAL	1.2 ALU 3103 H14 Or 5251	

DRAWN BY	AT	TITLE
APPROVED BY	SW	GENERAL SPECIFICATION
THIRD ANGLE PROJECTION	SHEET 1 OF 1	3 PHASE 150A 500V INDUSTRIAL FILTER
	SCALE 1:4	DRAWING NO. KMF3150A
	A4	ISSUE <b>04</b>



Release