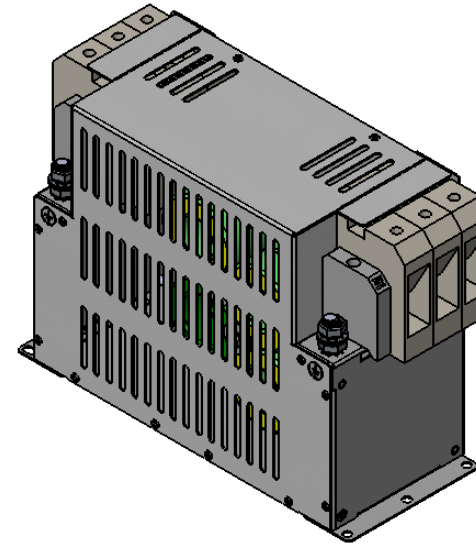
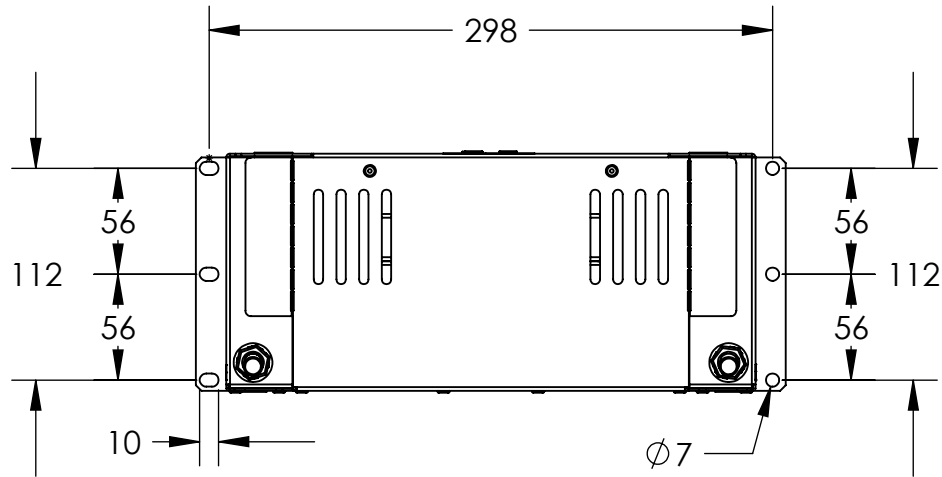
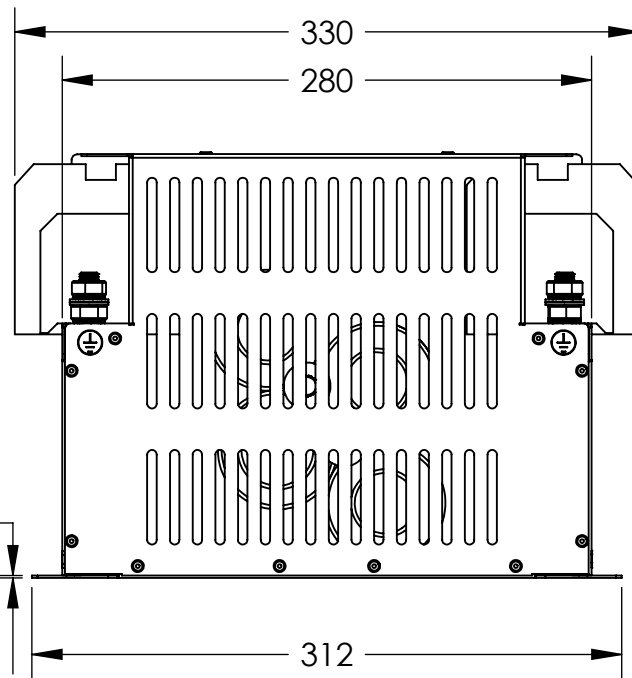


REV.	CNN	CNN DESCRIPTION	Date	Check in
05	-	TEXT UPDATE	09/11/2010	Shaun Barron
05	-	extra fixing hole added to base	10/11/2010	Shaun Barron



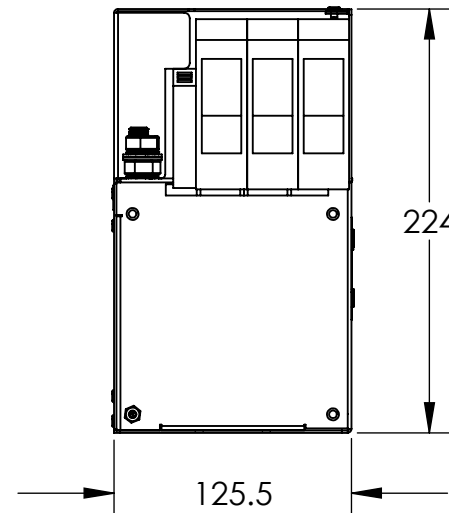
ELECTRICAL
 3PH AC Line Filter
 line voltage 500 Vac / UL 480Vac
 input current 180A / UL 165A @ 40°C
 operating frequency 50/60Hz
 voltage withstand 2772Vdc (1min)
 insulation resistance 679Vdc (>2MR)
 leakage fault 166mA
 leakage running <5mA
 residual voltage <60Vdc 1min
 short circuit 10kA
 watts loss 28W



MECHANICAL
 ingress protection IP20
 mass unpackaged 8.9kg
 material enclosure 1.2mm ALU
 mounting centres 298x112mm
 terminal connection 95mm²
 terminal earthing M10x25mm

ENVIRONMENT
 humidity 90% RH (non-condensing)
 pollution class II
 temperature -25-90°C
 vibration 10-200Hz 1.8G

STANDARDS
 EN60950 / EN50178 / UL1283



RoHS
 2002/95/EC
 Compliant

Tel No. +44(0)1724 273200 Website www.dem-uk.com

PROPRIETARY AND CONFIDENTIAL
 THE INFORMATION CONTAINED IN THIS DRAWING IS THE SOLE PROPERTY OF
 ALPHA 3 MANUFACTURING.
 ANY REPRODUCTION IN PART OR AS A WHOLE WITHOUT THE WRITTEN PERMISSION OF
 ALPHA 3 MANUFACTURING IS PROHIBITED.

UNLESS OTHERWISE SPECIFIED:
 DIMENSIONS ARE IN MILLIMETRES
 LINEAR TOLERANCE:
 NO DECIMAL PLACES ±0.5mm
 1 DECIMAL PLACE ±0.25mm
 2 DECIMAL PLACES ±0.125mm
 ANGULAR TOLERANCE: ±1°

DEM Manufacturing, Deltron Emcon House
 Hargreaves Way, Sawcliffe Ind. Park,
 Scunthorpe, North Lincolnshire, DN15 8RF, UK



FINISH

DEBURR AND BREAK
 SHARP EDGES

DRAWN BY
 APPROVED BY

Graves
 Williams

TITLE
 General Specification
 KMF3180
 Industrial Filter

IF IN DOUBT ASK
 DO NOT SCALE DRAWING

THIRD ANGLE PROJECTION

SHEET 1 OF 1

DRAWING NO.
 KMF3180-GS

ISSUE
 05

MATERIAL
 1.2 ALU 3103 H14 OR 5251



SCALE 1:4
 A4

Release