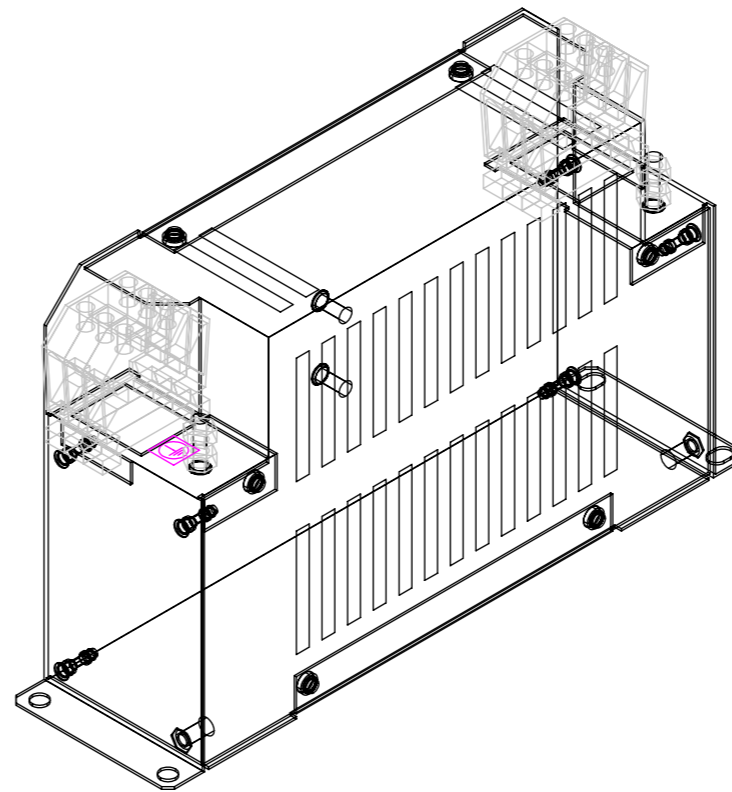
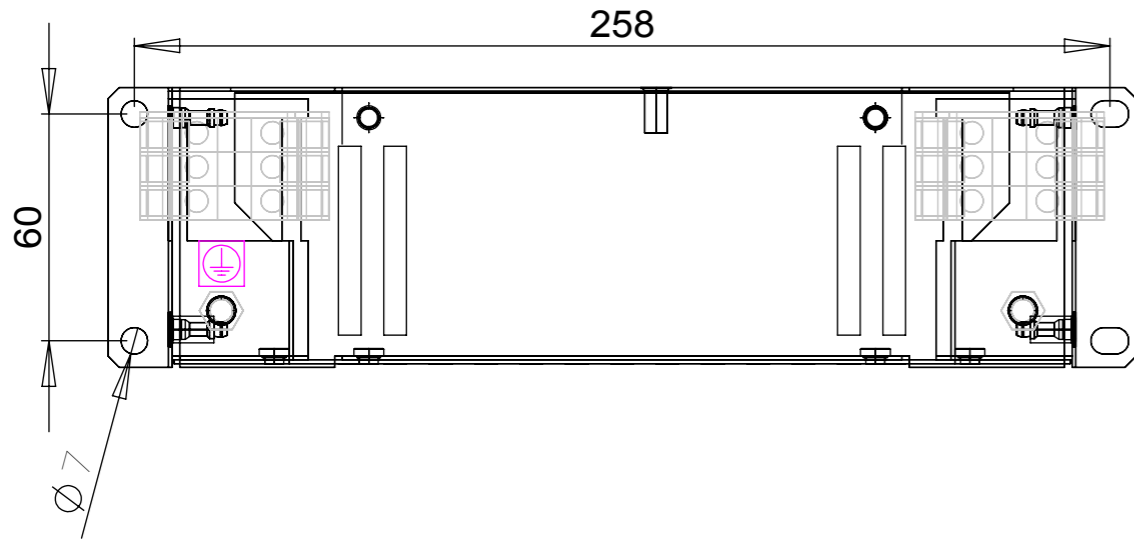
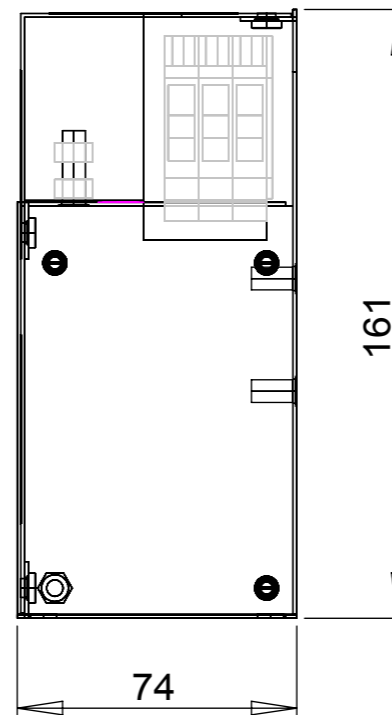
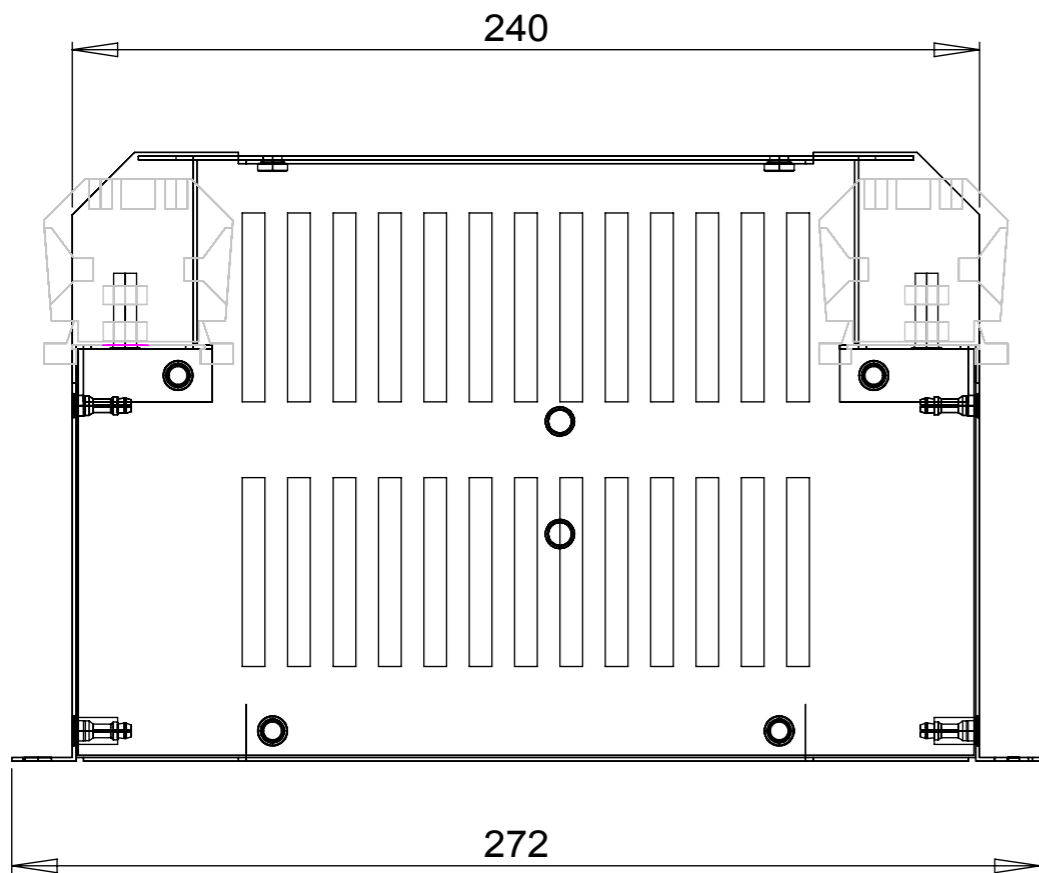


| REV. | CNN | CNN DESCRIPTION | Date       | Check in     |
|------|-----|-----------------|------------|--------------|
| 02   | -   | ROHS MISSING    | 19/01/2010 | Shaun Barron |
| 02   | -   | BORDER CHANGE   | 20/01/2010 | Shaun Barron |



### SPECIFICATIONS

**VOLTAGE** 500Vac  
**FREQUENCY** 50/60Hz  
**CURRENT** 36A @ 40°C  
**TEMPERATURE** -25 TO 100°C  
**LEAKAGE CURRENT** 81mA @ 500V 50Hz  
**HUMIDITY** 90% RH (NON-CONDENSING)  
**VIBRATION** 10-200Hz 1.8G  
**ELECTRIC STRENGTH** 2250Vac/1min.  
**POWER DISSIPATION** 16W  
**MASS** 2.7kg  
**TERMINALS** 10sqmm TERMINAL BLOCK  
**EARTH TERMINALS** M6 STUD  
**FLANGE MOUNTING** 4x M6



**RoHS**  
**2002/95/EC**  
  
**Compliant**

Tel No.+44(0)1724273200 Website www.dem-uk.com




**PROPRIETARY AND CONFIDENTIAL**  
 THE INFORMATION CONTAINED IN THIS DRAWING IS THE SOLE PROPERTY OF  
**ALPHA 3 MANUFACTURING.**  
 ANY REPRODUCTION IN PART OR AS A WHOLE WITHOUT THE WRITTEN  
 PERMISSION OF  
**ALPHA 3 MANUFACTURING** IS PROHIBITED.



DEM Manufacturing, Deltron Emcon House  
 Hargreaves Way, Sawcliffe Ind. Park,  
 Scunthorpe, North Lincolnshire, DN15 8RF, UK

UNLESS OTHERWISE SPECIFIED:  
 DIMENSIONS ARE IN MILLIMETRES  
 LINEAR TOLERANCE:  
**NO DECIMAL PLACES ±0.5mm**  
**1 DECIMAL PLACE ±0.25mm**  
**2 DECIMAL PLACES ±0.125mm**  
 ANGULAR TOLERANCE: ±1°

|   |   |                                    |
|---|---|------------------------------------|
| FINISH                                  | - | DEBURR AND<br>BREAK SHARP<br>EDGES |
| MATERIAL                                | - |                                    |
| IF IN DOUBT ASK<br>DO NOT SCALE DRAWING |   |                                    |

|                        |   |
|------------------------|---|
| DRAWN BY               | AT  |
| APPROVED BY            | AT  |
| THIRD ANGLE PROJECTION |  |
| SHEET 1 OF 1           |   |
| SCALE 1:2              |   |
| A3                     |   |

|             |  |          |
|-------------|--|----------|
| TITLE       | GENERAL SPECIFICATION<br>3 PHASE 36A 500V<br>INDUSTRIAL FILTER |          |
| DRAWING NO. | KMF336A  | ISSUE 02 |
|             |  | Release  |