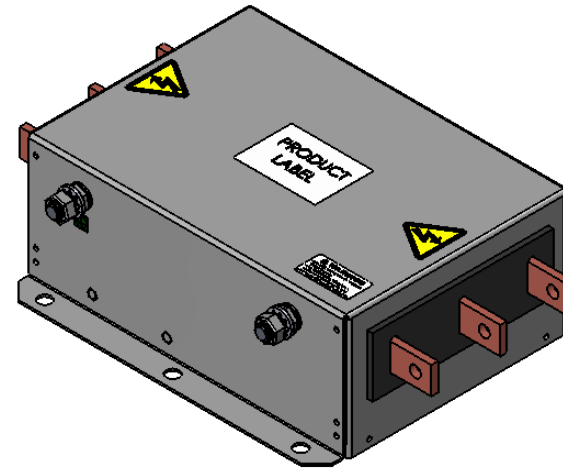
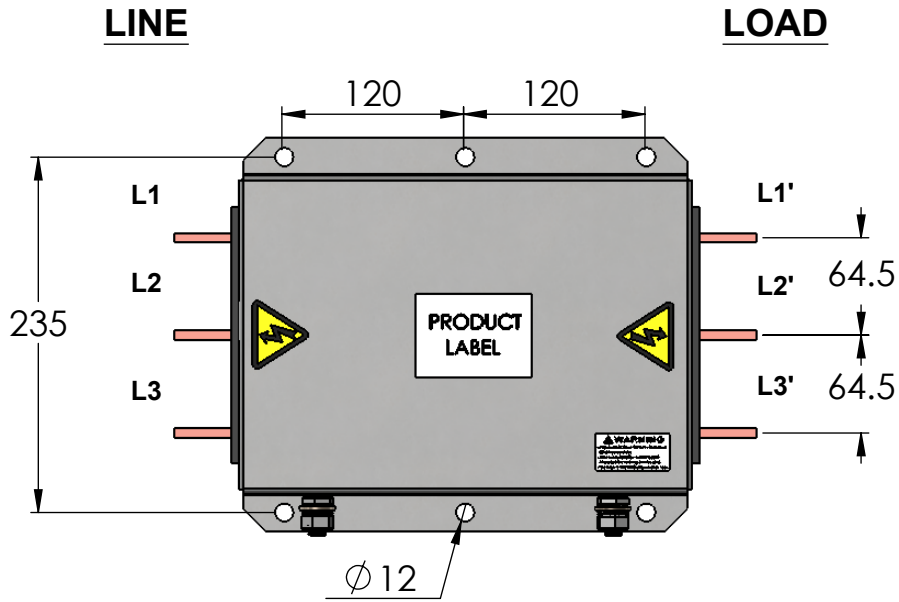


REV.	CNN	CNN DESCRIPTION	Date	Check in
03	-	-	01/03/2011	John Hutchinson
03	-	-	07/03/2011	John Hutchinson



**ELECTRICAL**  
3P RFI Filter

current 420A (50°C)  
voltage 480V (+10%)

leakage fault 85mA  
leakage normal <5mA  
operating frequency 50/60Hz  
residual voltage (245V 10s, 1.6V 60s)  
resistance dc 0.051mR (50°C)  
short circuit 30kA (200kA)  
voltage withstand 3.3kVdc 1s  
watts loss 27W (50°C)

**MECHANICAL**

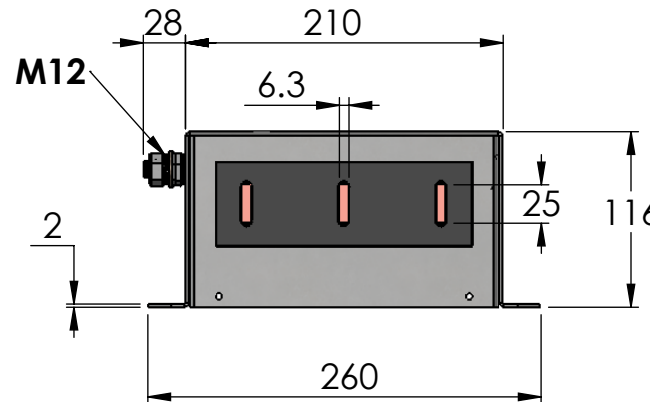
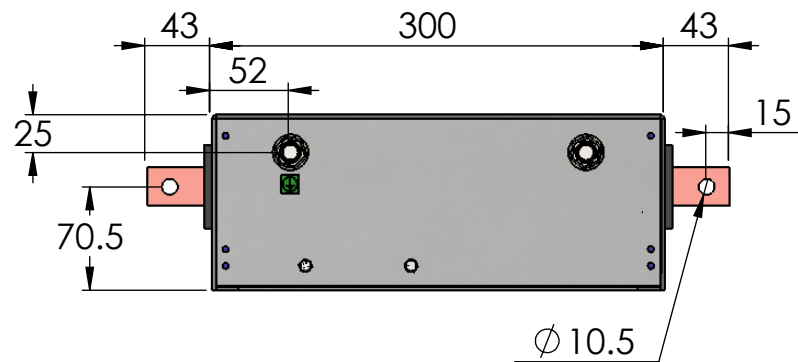
busbar holes M10. 30Nm  
earth stud M12. 25Nm  
fixing holes M10. 30Nm  
mass unpackaged 13.8kg  
material enclosure Al  
material busbars Cu  
material fixings SS

**ENVIRONMENT**

humidity 90% RH (non-condensing)  
pollution class II  
temperature -25 to +90°C  
vibration 5-500Hz 1.5G

**STANDARDS**

EN60939-1 / EN61010-1  
EN60950 / EN50178  
UL1283 / UL508C / CSA G22.2 No.8



Tel No. +44(0)1724 273200 Website www.dem-uk.com

PROPRIETARY AND CONFIDENTIAL  
THE INFORMATION CONTAINED IN THIS DRAWING IS THE SOLE PROPERTY OF  
ALPHA 3 MANUFACTURING.  
ANY REPRODUCTION IN PART OR AS A WHOLE WITHOUT THE WRITTEN PERMISSION OF  
ALPHA 3 MANUFACTURING IS PROHIBITED.

UNLESS OTHERWISE SPECIFIED:  
DIMENSIONS ARE IN MILLIMETRES  
LINEAR TOLERANCE:  
NO DECIMAL PLACES  $\pm 0.5\text{mm}$   
1 DECIMAL PLACE  $\pm 0.25\text{mm}$   
2 DECIMAL PLACES  $\pm 0.125\text{mm}$   
ANGULAR TOLERANCE:  $\pm 1^\circ$



DEM Manufacturing, Deltron Emcon House  
Hargreaves Way, Sawcliffe Ind. Park,  
Scunthorpe, North Lincolnshire, DN15 8RF, UK

FINISH -

DEBURR AND BREAK  
SHARP EDGES

DRAWN BY SPB

APPROVED BY SW

THIRD ANGLE PROJECTION



SHEET 1 OF 1

SCALE 1:5  
A4

TITLE  
General Specification  
KMF3420A  
Mains Line Filter

DRAWING NO.  
KMF3420A

ISSUE  
**03**  
Release

IF IN DOUBT ASK  
DO NOT SCALE DRAWING

MATERIAL